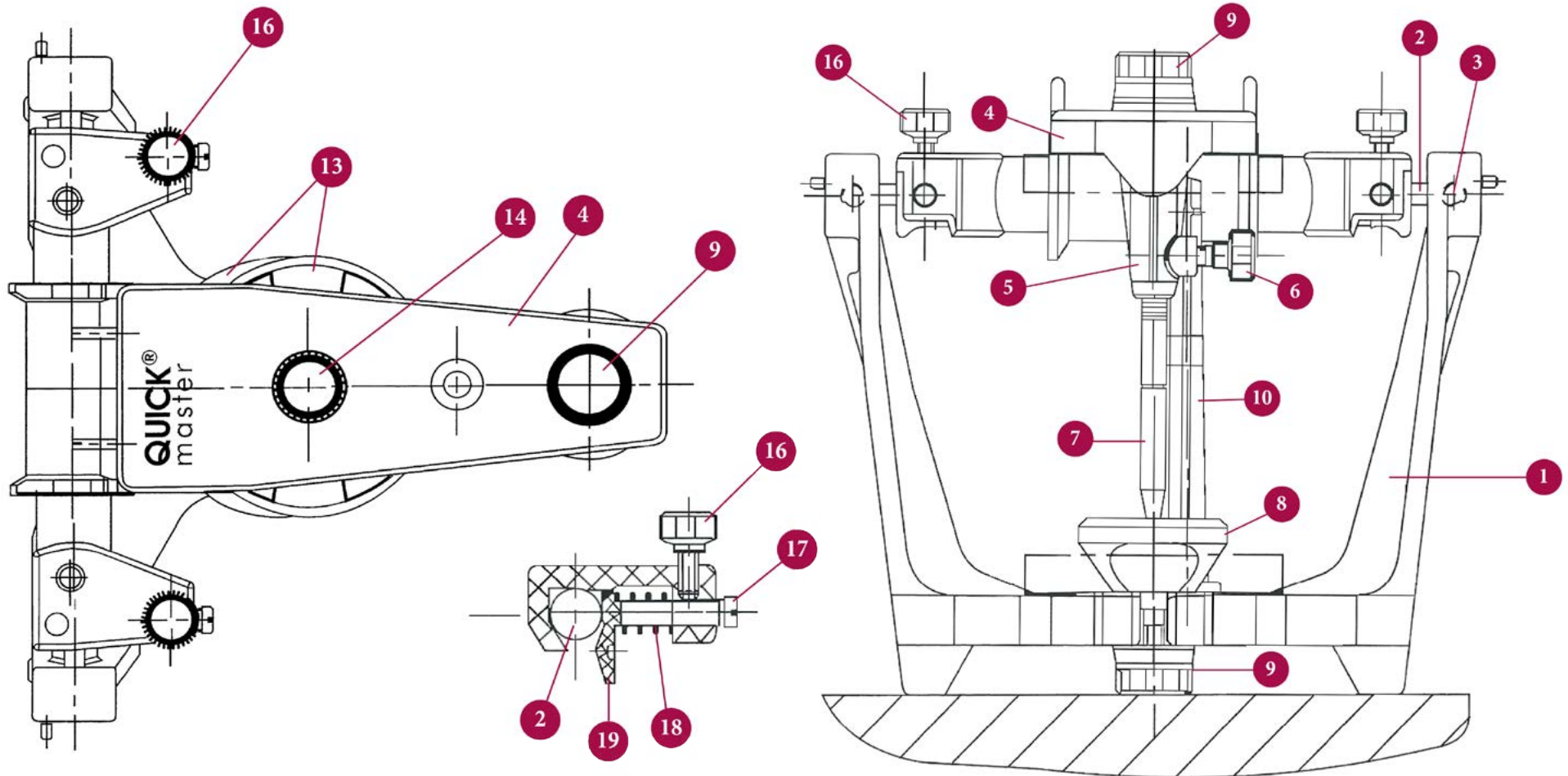


Lab 25 Articulator



- | | | | |
|---|---|--|-------------------------------------|
| 1 — QM 1001M Lower Element | 6 — QM 1007 Incisal Pin Locking Screw | 10 — QM 1011M Upper Element Support Rod (table support) | 17 — QM 1103 Condyle Screw |
| 2 — QM 1002 Condyle Ball | 7 — QM 1008 Incisal Pin | 13 — QM 1400 Mounting Plate | 18 — QM 1104 Condyle Spring |
| 3 — QM 1003 Condyle Ball Joint Set Screw | 8 — QM 1009 Horizontal Incisal Table | 14 — QM 1402 Mounting Plate Locking Push Pin | 19 — QM 1105L Condyle Saddle |
| 4 — QM 900/925 Upper Element Lab 25 | 9 — QM 1010 Incisal Table and Incisal Pin Holder Racking Nut | 16 — QM 1102 Protrusive Lock Screw | |
| 5 — QM 1006 Incisal Pin Holder | | | |