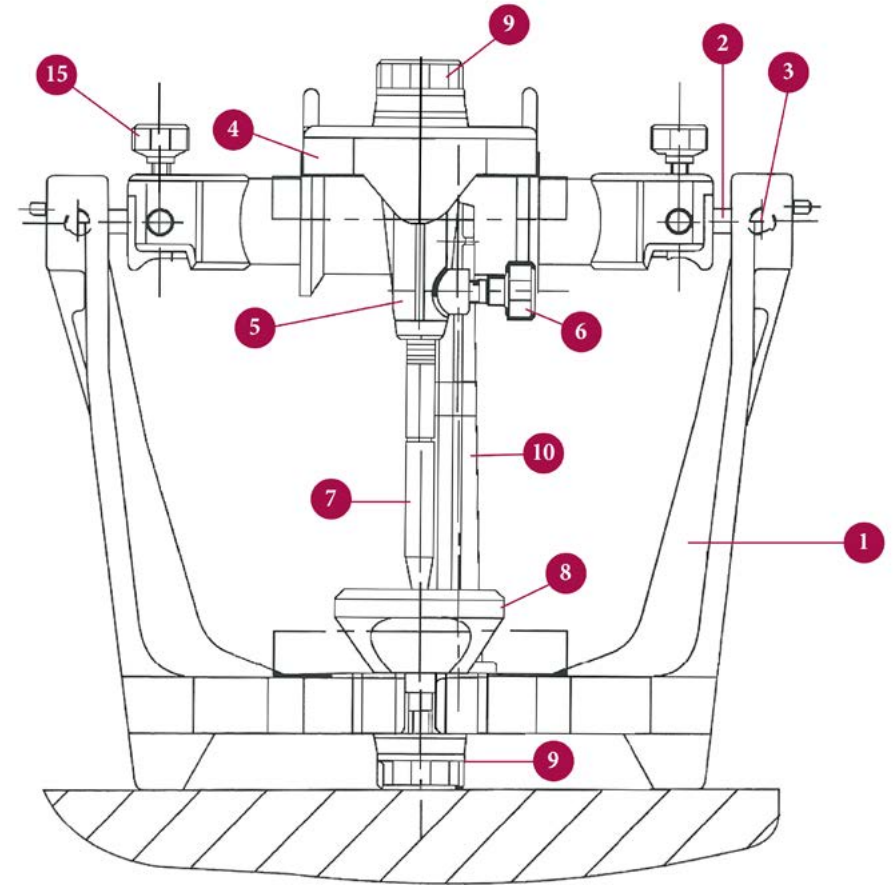
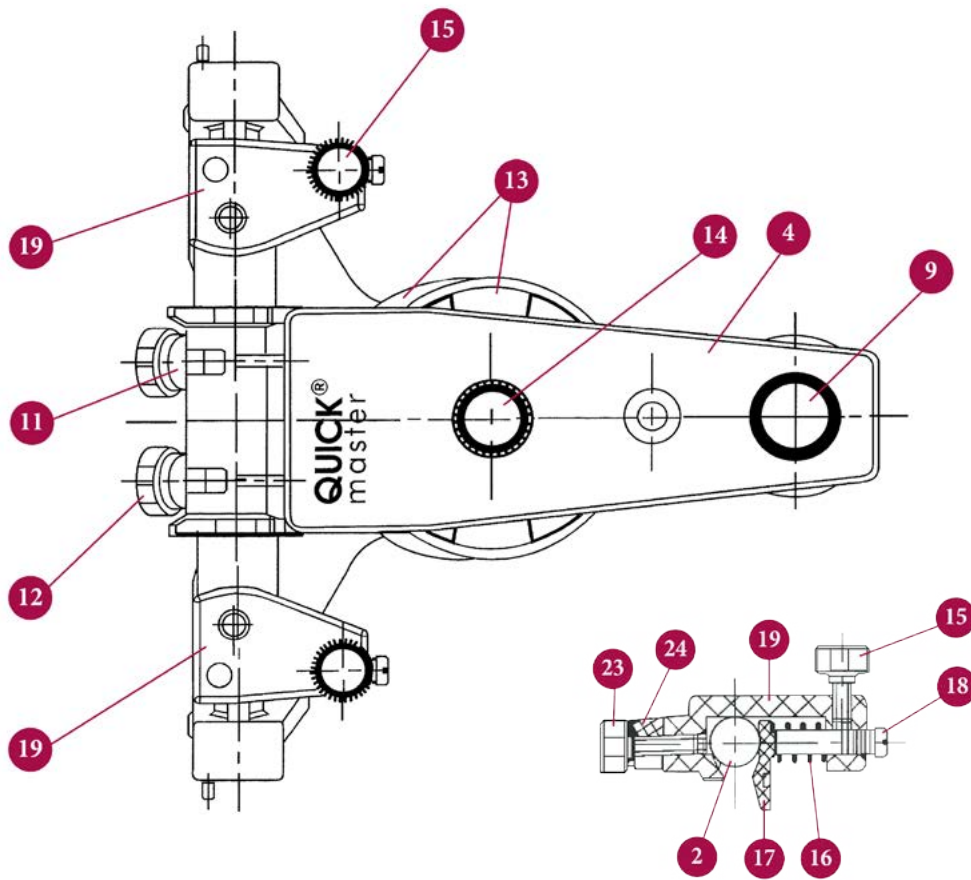


B2M Articulator



- | | | | |
|--|---|---|--|
| 1 — QM 1001M Lower Element | 7 — QM 1008 Incisal Pin | 11 — QM 1010 Spacer for Condyle Set Screw | 16 — QM 1104 Condyle Spring |
| 2 — QM 1002 Condyle Ball | 8 — QM 1009 Horizontal Incisal Table | 12 — QM 1013 Condyle Set Screw | 17 — QM 1105L Condyle Saddle |
| 3 — QM 1003 Condylar Ball Joint Set Screw | 9 — QM 1010 Incisal Table and Incisal Pin Holder Racking Nut | 13 — QM 1400 Mounting Plate | 18 — QM 1201 Condyle Screw |
| 4 — QM 1004 Upper Element | 10 — QM 1011M Upper Element Support Rod (table support) | 14 — QM 1402 Mounting Plate Locking Push Pin | 19 — QM 1200 D/C Condyle Boxes Left and Right |
| 5 — QM 1006 Incisal Pin Holder | | 15 — QM 1102 Protrusive Lock Screw | 23 — QM 1202 Protrusive Set Screw |
| 6 — QM 1007 Incisal Pin Locking Screw | | | 24 — QM 1203 Spacer for Protrusive Set Screw |